

3 August 2004



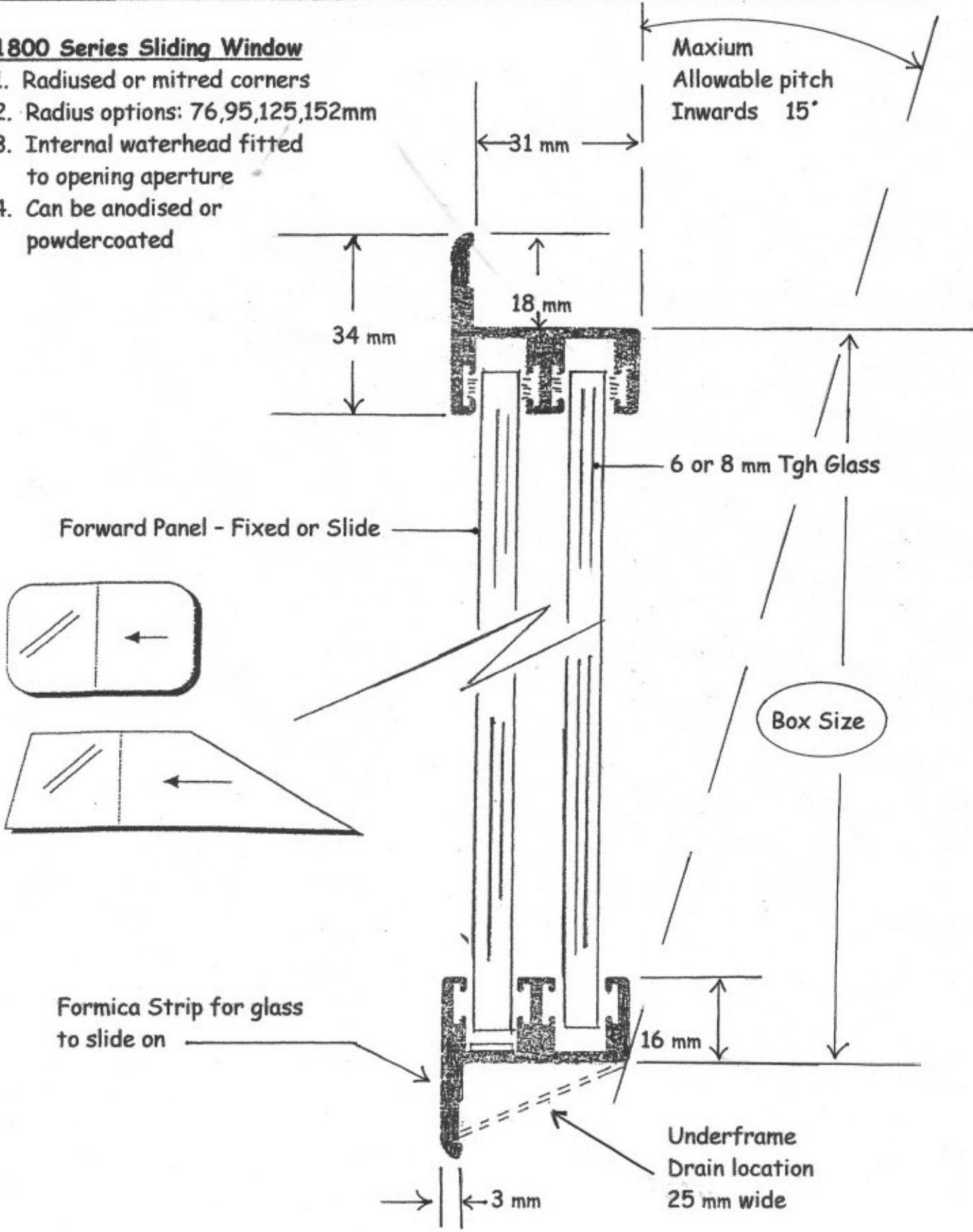
**ALUMINIUM LTD.**

1 Woods Rd.  
Whangarei, New  
Zealand  
Ph. 64 9 4386884  
Fax 64 9 4386852  
seamac@clear.net.nz

web site : [www.seamac.co.nz](http://www.seamac.co.nz) Specialists in Marine Windows & Door

**1800 Series Sliding Window**

- 1. Radiused or mitred corners
- 2. Radius options: 76,95,125,152mm
- 3. Internal waterhead fitted to opening aperture
- 4. Can be anodised or powdercoated



Forward Panel - Fixed or Slide

Maxium Allowable pitch Inwards 15°

6 or 8 mm Tgh Glass

Box Size

Formica Strip for glass to slide on

Underframe Drain location 25 mm wide

3 mm